



D

**GENERAL
ARRANGEMENT
DRAWING**



DISTRICT 42
 CONT No
 WP No 4070-10-01

HWY 417
 NICHOLAS STREET UNDERPASS

SHEET

GENERAL ARRANGEMENT



METRIC

METRIC
 DIMENSIONS ARE IN METRES
 AND/OR MILLIMETRES
 UNLESS OTHERWISE SHOWN

LIST OF DRAWINGS

- GENERAL ARRANGEMENT
- BOREHOLE LOCATIONS AND SOIL STRATA - SHEET 1
- BOREHOLE LOCATIONS AND SOIL STRATA - SHEET 2
- FOUNDATION LAYOUT
- ABUTMENT DETAILS AND REINFORCEMENT
- WINGWALL DETAILS AND REINFORCEMENT
- PIER DETAILS AND REINFORCEMENT
- BEARINGS
- STRUCTURAL STEEL I
- STRUCTURAL STEEL II
- STRUCTURAL STEEL III
- STRUCTURAL STEEL IV
- DECK DETAILS
- DECK REINFORCEMENT
- BARRIER WALLS
- RAILING FOR BARRIER WALL
- APPROACH SLAB
- EXPANSION JOINT AND SLEEPER SLAB
- STRIP SEAL EXPANSION JOINT FOR SLEEPER SLAB
- DETAILS OF CONCRETE SLOPE PAVING
- PRECAST CONCRETE ELEMENTS
- DEMOLITION OF EXISTING STRUCTURE
- STANDARD DETAILS

LIST OF ABBREVIATIONS

- WP DENOTES WORKING POINT
 T/P DENOTES TOP OF PAVEMENT
 ABUT. DENOTES ABUTMENT
 BRGS. DENOTES BEARINGS
 SHLD DENOTES SHOULDER
 U/S DENOTES UNDERSIDE
 CSP DENOTES CORRUGATED STEEL PIPE
 E.J. DENOTES EXPANSION JOINT
 N.T.S. DENOTES NOT TO SCALE
 FIX DENOTES DENOTES FIXED BEARING
 EXP. DENOTES EXPANSION
- WBL DENOTES WESTBOUND LANE
 EBL DENOTES EASTBOUND LANE
 HWY. DENOTES HIGHWAY
 DIA DENOTES DIAMETER
 THK DENOTES THICKNESS
 STA DENOTES STATION
 VPI DENOTES VERTICAL PROFILE INTERSECTION
 HOT DENOTES HUB ON TANGENT
 HOC DENOTES HUB ON CURVE
 EL. DENOTES ELEVATION
 MED DENOTES MEDIAN

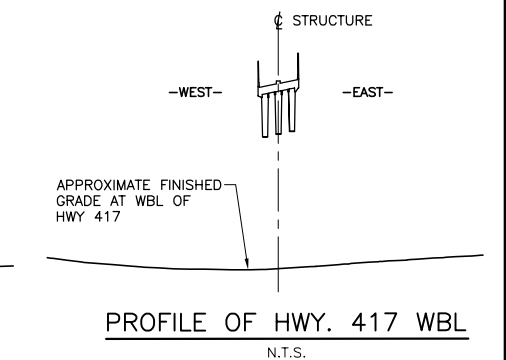
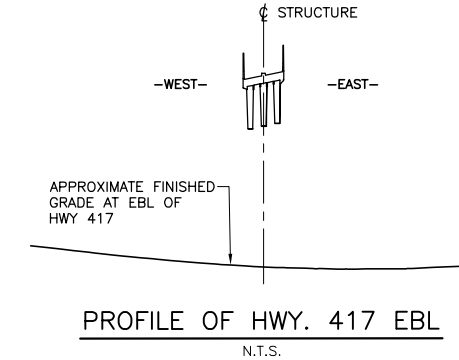
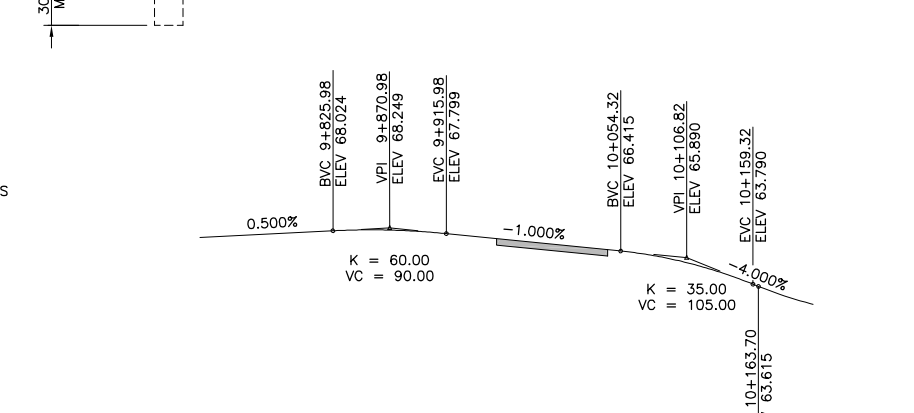
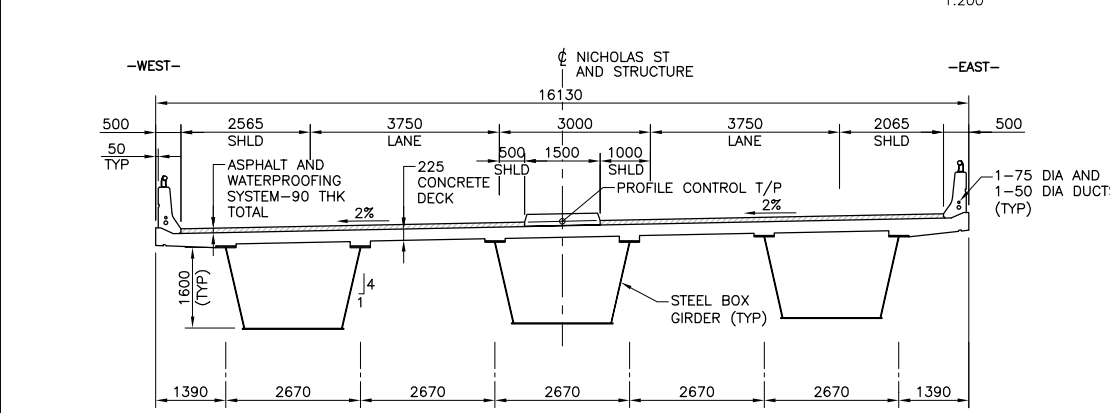
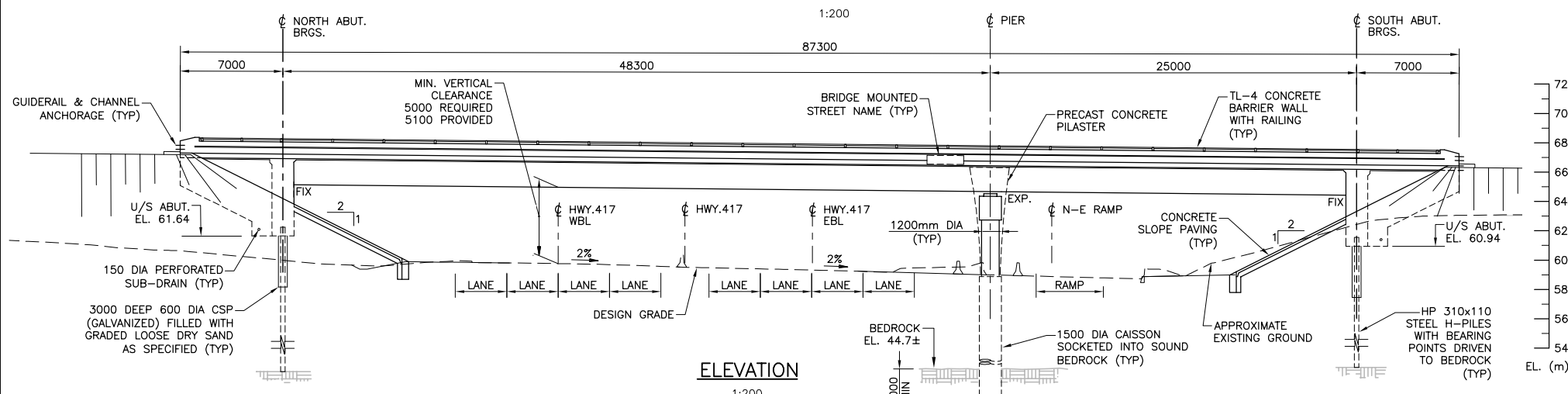
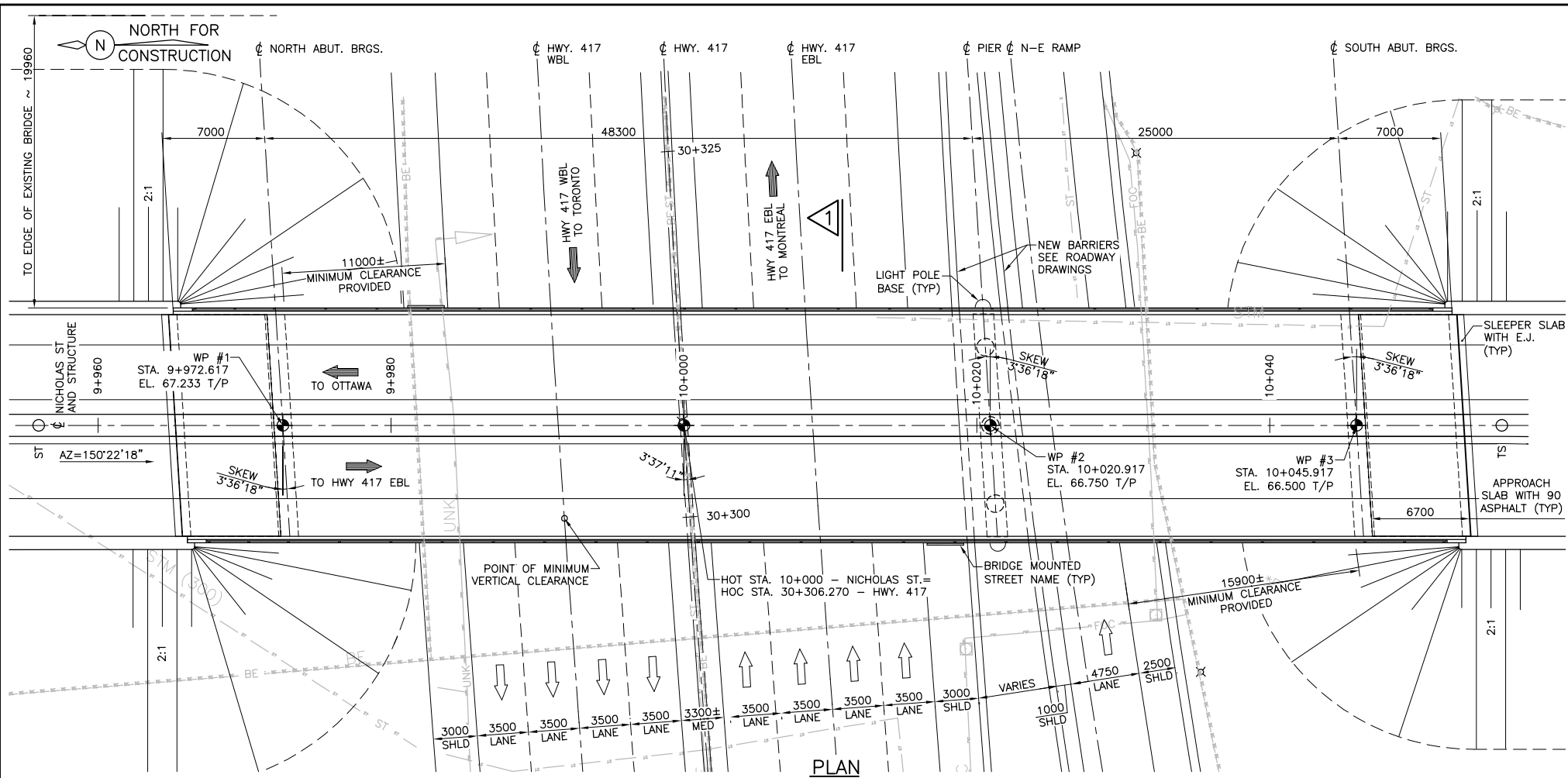
APPLICABLE STANDARD DRAWINGS:

- OPSD 3101.150 WALLS, ABUTMENT, BACKFILL, MINIMUM GRANULAR REQUIREMENT
- OPSD 3102.100 WALLS, ABUTMENT, BACKFILL DRAIN
- OPSD 3370.100 DECK, WATERPROOFING HOT APPLIED ASPHALT MEMBRANE WITH PROTECTION BOARD
- OPSD 3370.101 DECK, WATERPROOFING HOT APPLIED ASPHALT MEMBRANE AT ACTIVE CRACKS GREATER THAN 2mm WIDE AND CONSTRUCTION JOINTS
- OPSD 3390.150 FALSEWORK CLEARANCE TO TRAFFIC LANES
- OPSD 3419.100 BARRIERS AND RAILINGS, STEEL BEAM, GUIDE RAIL AND CHANNEL ANCHORAGE
- OPSD 3941.200 FIGURES IN CONCRETE, SITE NUMBER AND DATE, LAYOUT

WORKING POINT COORDINATES (m)

WP No.	NORTHING	EASTING
1	5031054.301	369416.805
2	5031012.316	369440.683
3	5030990.584	369453.043

- LEGEND:**
- STM --- STORM SEWER
 - FOC --- FIBRE OPTIC CABLE
 - UNK --- UNKNOWN
 - BE --- BURIED ELECTRIC



REVISIONS

NO.	DATE	DESCRIPTION

DRAWING NOT TO BE SCALED
 100mm ON ORIGINAL DRAWING

CAD FILE LOCATION AND NAME: P:\3411007-000 nicholas street up v4_TRANS\4.5_drawings\4.5_sheets\BRG\1-General Arrangement.dwg
 MODIFIED: 4/3/2018 3:44:09 PM BY: SCOTT.MCLAYTON
 DATE PLOTTED: 4/4/2018 8:25:45 AM BY: SCOTT.MCLAYTON